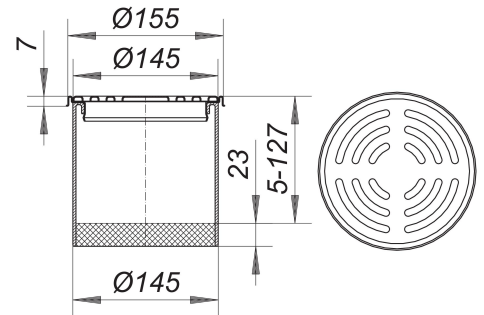


grating VER 15, d: 155 mm

Part number: 500250
GTIN: 4001636500250
Rebate group: 3



Description:

grating VER 15, d: 155 mm
used with floor drains type 54, 55, 57, 58, 61 and 61/1
spigot polypropylene, frame 304 stainless steel, d: 155 mm,
grate 304 stainless steel, load class K 3 (300 kg)