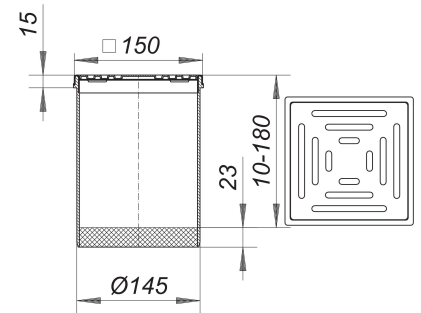


## grating SEC 15, 150 x 150 mm

Part number: 500298  
GTIN: 4001636500298  
Rebate group: 3



### Description:

grating SEC 15, 150 x 150 mm  
used with floor drains type 54, 55, 57, 58, 61 and 61/1  
spigot polypropylene, frame 304 stainless steel, 150 x 150 mm  
grate 304 stainless steel, load class K 3 (300 kg)