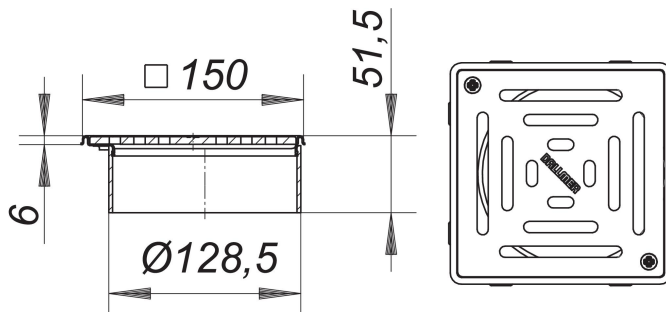


Grating VS 15, 150 x 150 mm

Part number: 500366
GTIN: 4001636500366
Rebate group: 5



Description:

Grating VS 15, 150 x 150 mm
for CeraDrain S 15 and TistoDrain S 15,
height adjustable up to 40 mm with +/- 13 mm lateral adjustment, spigot ABS, frame 304 stainless steel, 150 x 150 mm, grate 5 mm 316L stainless steel, secured, load class L 15 (1.5 t)