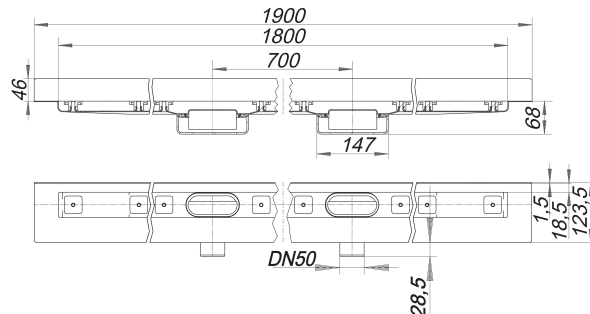


## shower channel CeraLine Nano W Duo 1800 mm, DN 50

Part number: 524843  
 GTIN: 4001636524843  
 Rebate group: 8



### Description:

shower channel CeraLine Nano W Duo 1800 mm, DN 50  
 Linear drainage for installation at wall  
 with two drain bodies, outlet DN 50 horizontal

#### specification

- sound absorbing height adjustable levelling legs
- integral sand coated flange for secure bonding of under-tile waterproofing
- removable trap insert, 24 mm water seal (deviating to DIN EN 1253)
- height adjustable screws
- temporary blanking plate
- tiling gauges
- edge trim jigs

#### material

channel 304 stainless steel, trap polypropylene

#### Options for CeraLine Nano W Duo:

- Any made-to-measure length up to 2000 mm can be supplied
- Upstands can be on back, back and one end or back and both ends
- Upstand can be set back for stone, marble wall finish

Please enquire!

The outlet connector can be supplied in ABS to suit British Standard sizes and PE-HD conforming to DIN EN 1519. Please enquire.

### Flow rates tested to DIN EN 1253:

Nominal diameter	Product standard	Min. flow rate according to norm	Water level according to norm
DN 50	DIN EN 1253	0.80 l/s	20.00 mm

11.12.2023 23:39

# DALLMER

Spare parts:

523983 adjustable pedestals